

AERO

AIR TIRE PEDAL CAR

Assembly Instructions

Model # 9981-700



AERO by Kettler®
1355 London Bridge Road · Virginia Beach, Virginia 23453 · USA
www.kettlerusa.com
parts@kettlerusa.com

Read these instructions carefully before assembling the product or using it for the first time. They contain important information for your safety and for the correct use and maintenance of this AERO by Kettler® product. Keep the instructions in a safe place for information or for ordering spare parts.

This KETTLER product has been designed in accordance with the latest standards of safety and subject to constant quality monitoring. The data gained from this quality process is then incorporated in the development of our products. For this reason, we reserve the right to make changes in design and technology in order to offer our customers products of the highest standard of quality at all times. In spite of this, if you have any comments please contact KETTLER International, Inc.

For your safety

- This pedal car should be used for its intended purpose only, i.e. one (1) child only. It should not be used in any other ways, as this may be dangerous. The manufacturer cannot be held liable for damage or injury caused by incorrect use.
- This product is a toy and is not suitable for use in traffic or on public roads.
- Always keep a watchful eye on your child in order to avoid risks by thoughtless and hasty movements.
- This product is suitable for children between 5-9 years with a body weight up to 200 lbs.
- The wheeled toy does not contain lights. Please ride during daylight, never in the dark.
- This toy is designed for private use only (no commercial or public use).
- The toy must not be connected with other vehicles, sports or similar devices and not be driven/pulled by them.
- Always wear a correctly fitted approved child's safety bike helmet.
- Damaged components may endanger the safety of your child or shorten the lifespan of the product. Inspect it at regular intervals to ensure that none of the components are damaged and that none of the bolts or other joints have worked loose.
- Replace worn or damaged parts immediately and ensure that the product is not used again until this has been done. If any parts require replacement, use only original spares manufactured by KETTLER.
- This child's wheeled toy conforms to the stipulated safety regulations.
("Safety regulations for children's toys"; max. weight of user: 200 lbs) Incorrect repairs or alterations (removal or original parts or addition of other parts etc.) may be a source of danger to the user.

Use of the Toy

- **WARNING:** Adult supervision is required. Never use near steps, slopes, driveways, hills, roadways, alleys or swimming pool areas. Always wear shoes. Never allow more than one rider. The use of protective gear and a safety helmet (conform to U. S. CPSC Standard 1CFR1203) is highly recommended.
- Before use always check that all screws and plug-in connections and respective safety devices fit correctly.
- Do not transport anything on this product.
- This wheeled toy does not have a parking brake system. Therefore, secure the vehicle against rolling away. Do not leave children who are not old enough to use the wheeled toy unattended on a product.
- Instruct your child how to use the vehicle correctly and draw attention to possible sources of danger.
- Children at play should always be supervised.
- The seat of this product can be adjusted to your child's size.

- Please bear in mind that there is always a danger of children injuring themselves while using swings, climbing frames, toy vehicles or similar equipment.
- When riding the toy, the child should always wear covered footwear (no open toe shoes or barefoot riding).
- When children are at play, situations may arise which cannot be predicted by the manufacturer and for which he cannot be held responsible.
- Never use corrosive or abrasive substances to clean the toy. Never use substances which may cause pollution of the environment.
- For models with air tires, check air pressure periodically (see tire for recommended psi) Due to the nature of materials used in air tires on AERO by Kettler® toys, it is not recommended that the product to be left in any one place for too long where solvents or other chemicals, i. e. petrol, may lie. This may result in a chemical reaction, which could cause the tires to mark the surface such as a vinyl flooring. If in doubt put something underneath the wheels to cover the floor.
- Lubricate the bearing sleeves of the wheels with a few drops of oil every two to three months.

Assembly of the Pedal Car

- Please ensure that the vehicle will only be used for playing when assembly has been carried out correctly, and checked, by an adult.
- The toy vehicle must be assembled by an adult person. Study the assembly instructions carefully before beginning work. Assemble the vehicle in the exact sequence shown by the letters in the diagrams. The vehicle will function as designed when correctly assembled.
- Please note that there is always a danger of injury when working with tools or doing manual work. Therefore please be careful when assembling this machine.
- Ensure that your working area is free of possible sources of danger, for example don't leave any tools lying around. Always dispose of packaging material in such a way that it may not cause any danger. There is always a risk of suffocation if children play with plastic bags!
- Bolt all the parts together loosely at first, and check that they have been assembled correctly. Tighten the locknuts by hand until resistance is felt, then use the wrench to tighten nuts completely against resistance (locking device). Then check that all screw connections have been tightened firmly.
- Please keep original packaging of this article, so that it may be used for transport at a later date, if necessary.
- For technical reasons, we reserve the right to carry out preliminary assembly work (e.g. addition of tubing plugs).
- When ordering spare parts, always state the full model number, spare part number, the quantity required and the serial number of the product.

Example order: model # 9981-700/ spare part no. 9981-700#12 / 1 piece / S/N...

Important: spare part prices do not include fastening material; if fastening material (bolts, nuts, washers etc.) is required it should be clearly stated on the order by adding the words „with fastening material“.

AERO by Kettler® Limited Warranty

THERE ARE NO WARRANTIES, EXPRESSED OR IMPLIED, MADE BY EITHER THE DISTRIBUTOR OR THE MANUFACTURER ON AERO BY KETTLER® PRODUCTS, EXCEPT THE MANUFACTURER'S LIMITED WARRANTY AGAINST DEFECTS IN MATERIAL SET OUT BELOW:

This AERO by Kettler® Limited Warranty applies to products sold through the AERO by Kettler® Authorized Dealer Network to the original retail purchaser and authenticated by proof of purchase from a retailer located in the United States. Any shipments made under this warranty will be shipped to the United States only. Any shipment outside of the United States will be at the sole cost of the customer. This AERO by Kettler® Limited Warranty is a manufacturer's warranty and is not changed or modified by additional warranties extended by individual retailers at the point of sale. Manufacturer warrants this product to be free from defects in material at the time of the product's tender of delivery for a period of 1 year for residential use. This Limited Warranty is not transferable and does not cover normal wear and tear (including, but not limited to, damage and wear to tires, power shocks, drive belts and other non-durable parts). The liability of the manufacturer under this Limited Warranty shall not include any liability for direct, indirect, or consequential damages resulting from the defect. This Limited Warranty is void if the product is damaged by accident, unreasonable use, improper service, failure to follow instructions provided, modification from its original state, or other causes determined not arising out of defects in material.

This warranty gives you specific legal rights. Should this product become defective due to material within the warranty period, contact AERO by Kettler® **Parts & Service Dept.** by phone at **866.804.0440**, fax at **757.563.9273**, or e-mail at **parts@kettlerusa.com**

THIS LIMITED WARRANTY IS EXPRESSLY IN LIEU OF ANY OTHER WARRANTIES, EXPRESSED OR IMPLIED, INCLUDING ANY IMPLIED WARRANTY OF MERCHANTABILITY OR FITNESS FOR A PARTICULAR PURPOSE, AND OF ANY OTHER OBLIGATIONS OR LIABILITY ON THE PART OF THE MANUFACTURER. AERO BY KETTLER® NEITHER ASSUMES NOR AUTHORIZES ANY OTHER PERSON TO ASSUME FOR IT ANY OTHER LIABILITY IN CONNECTION WITH SUCH PRODUCTS.



WARNING!!

TO AVOID SERIOUS INJURY:

Continuous adult supervision is required; never use near motor vehicles; near streets, swimming pools, hills, steps or sloped driveways. Always wear shoes when using the Pedal Car. Allow only one rider. The use of protective gear and a bike helmet is highly recommended.

Pedal Car Maximum weight: 200 lbs.

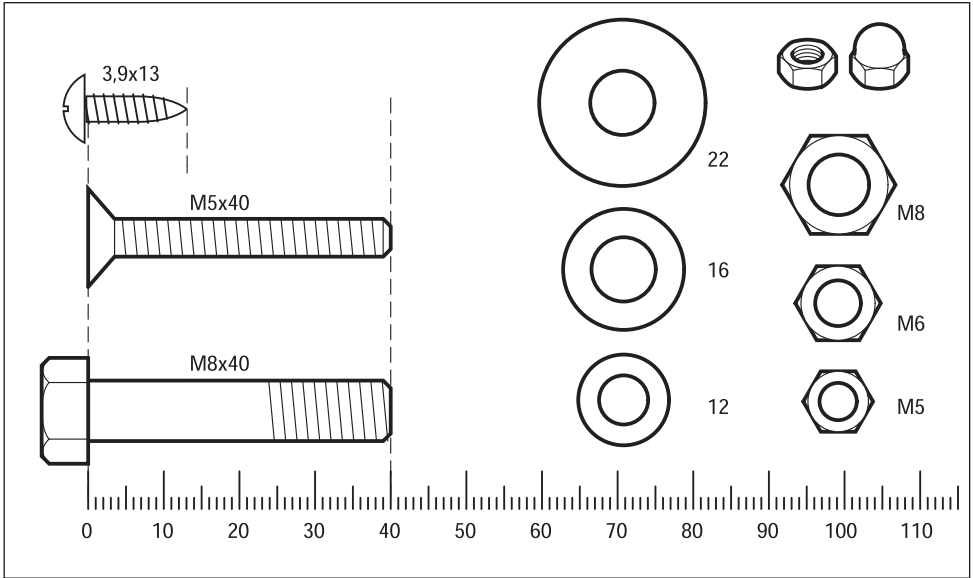
Excessive weight may cause a hazardous or unstable condition.

Model # 9981-700

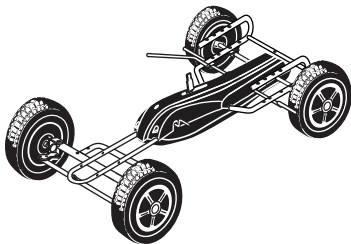


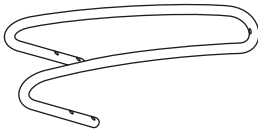
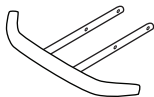
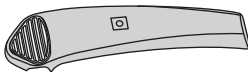


AERO by Kettler® · 1355 London Bridge Road · Virginia Beach, VA 23453















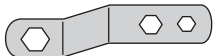
www.kettlerusa.com

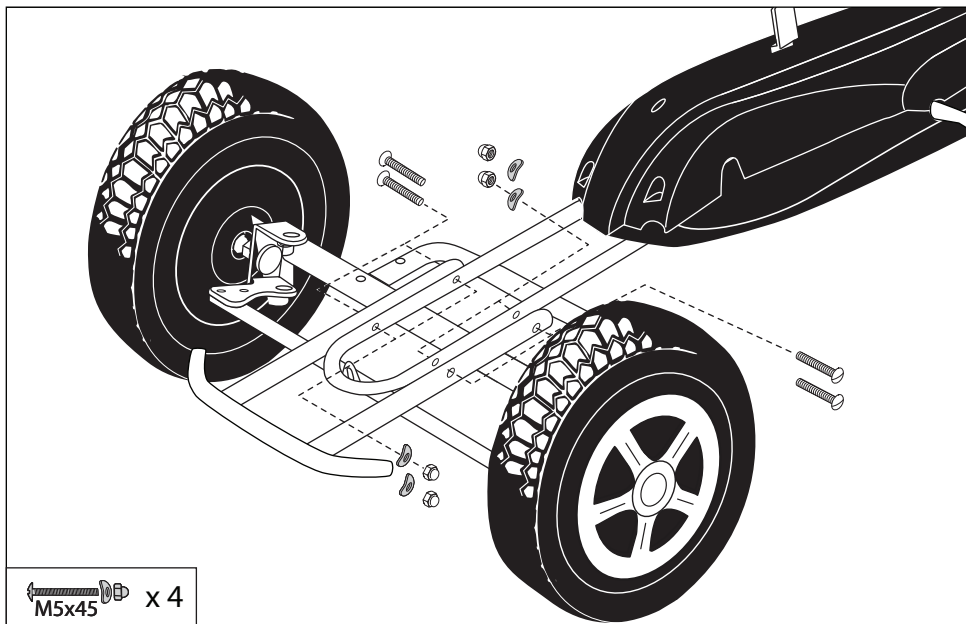
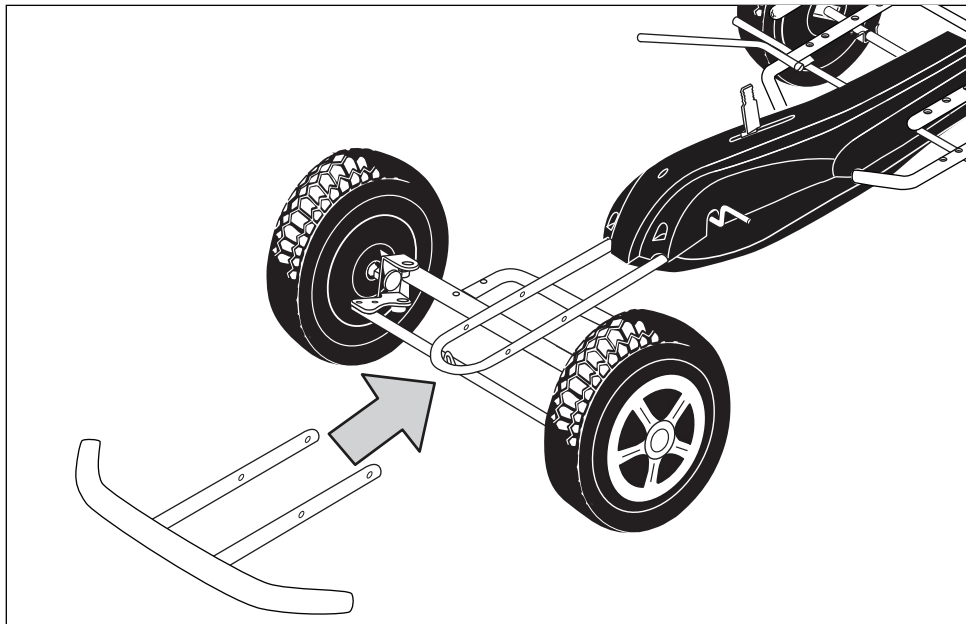
Measuring help for screw connections



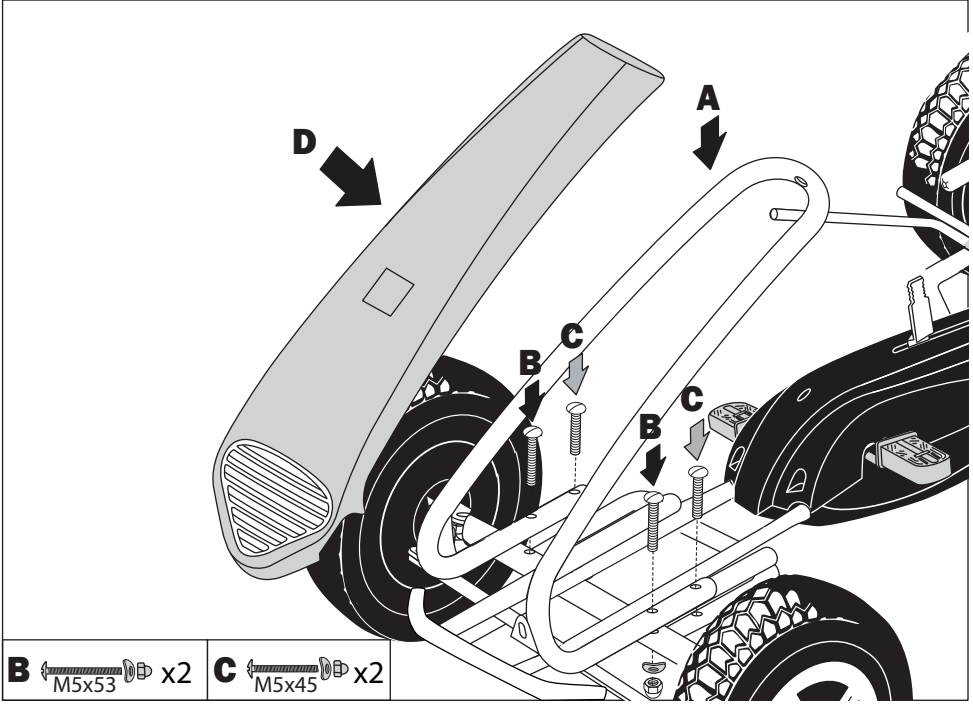
Checklist

	1	✓
	1	
	2	
	1	
	1	
	1	
	1	
	1	

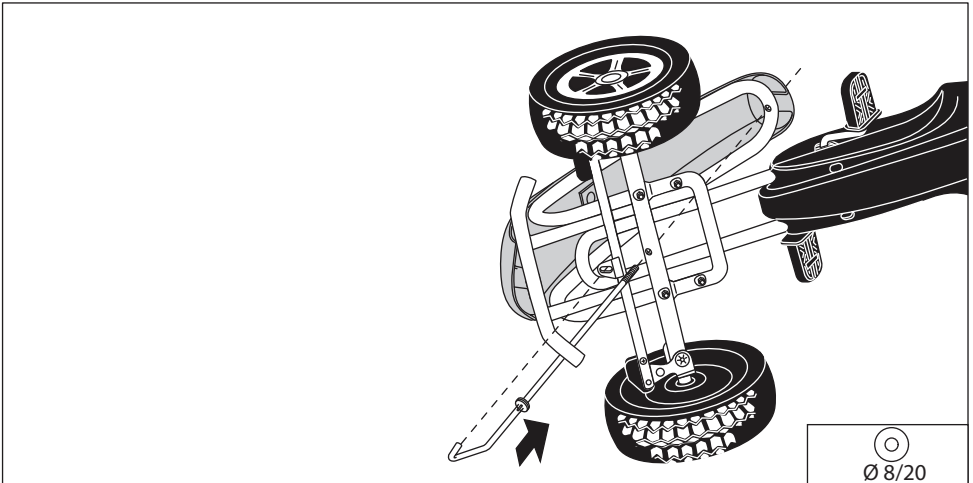
	1/1	
	1	
	1	
	1	
	2	
 M 8	1	
 Ø 8/20	1	
 Ø 8/16	1	
	8	
 M 5	8	
 M 5 X 53	2	
 M 5 X 45	6	
 M 5 X 30	2	
 3,9 X 16mm	2	
	1	



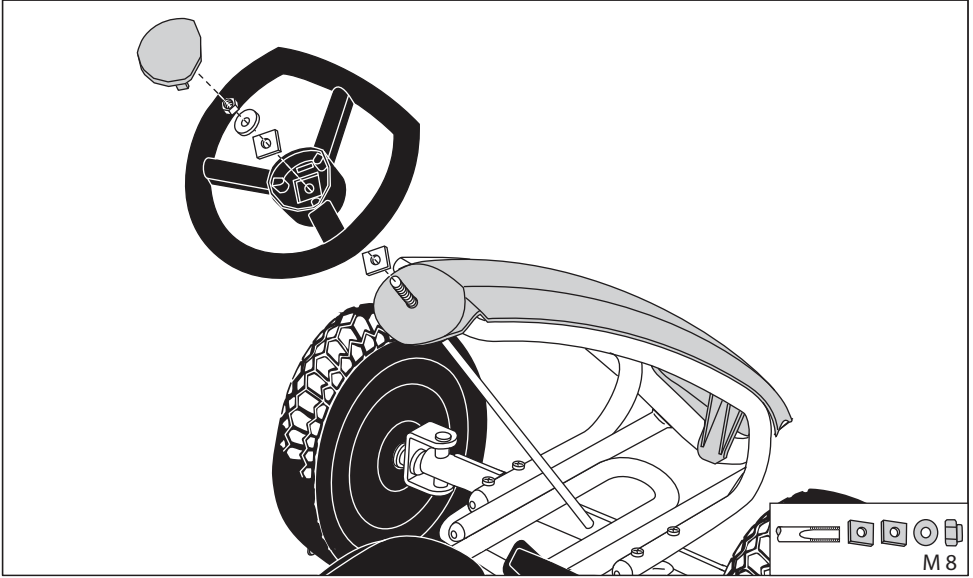
2



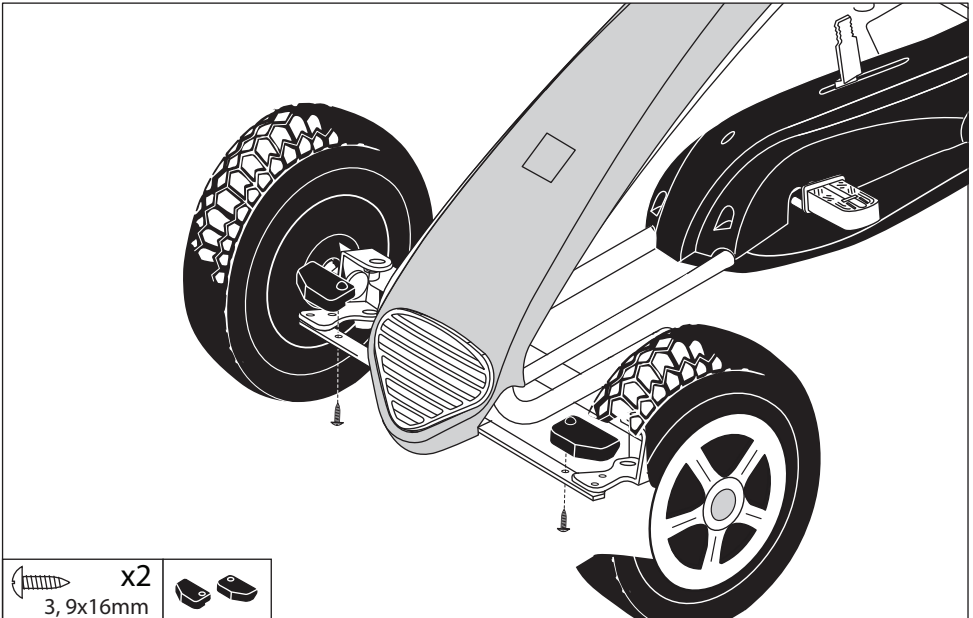
3



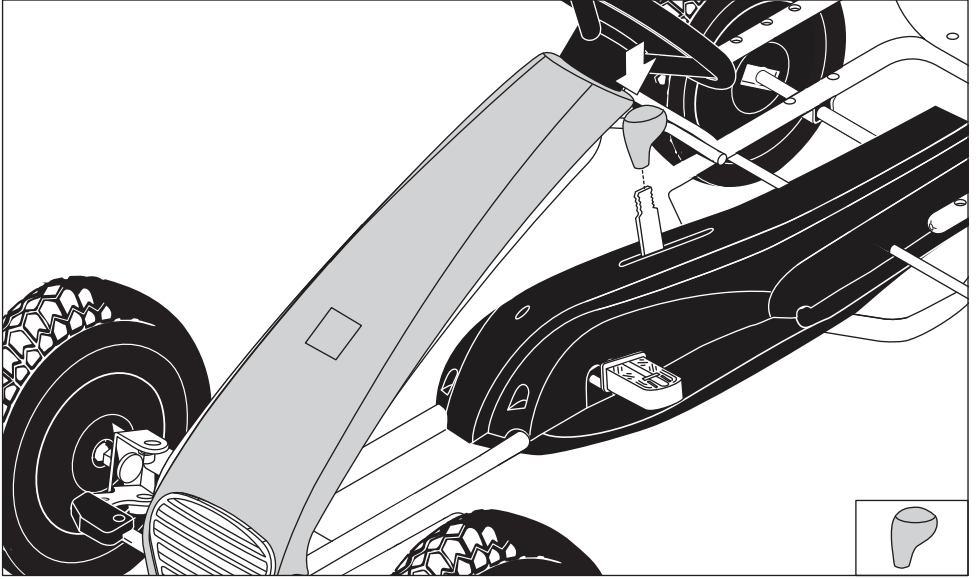
4



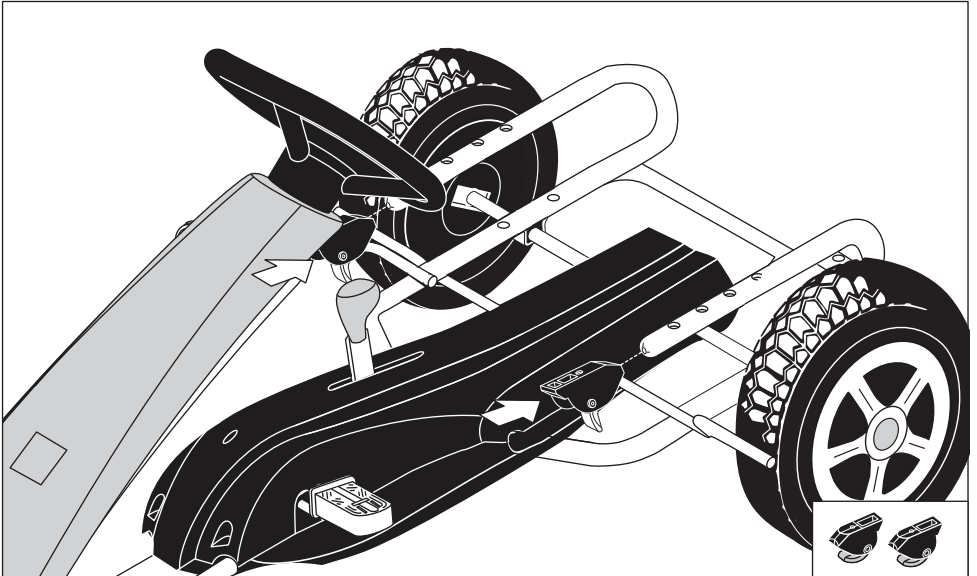
5



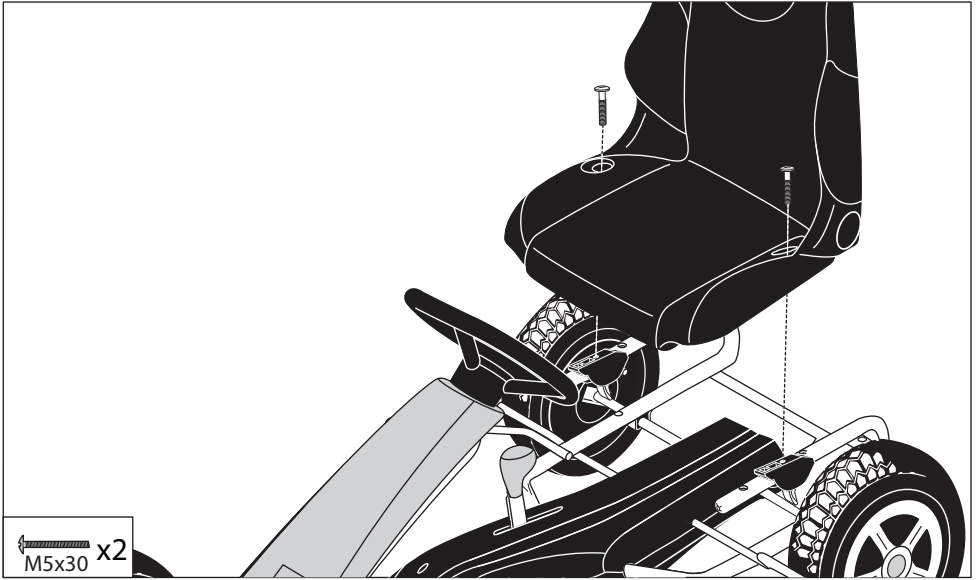
6



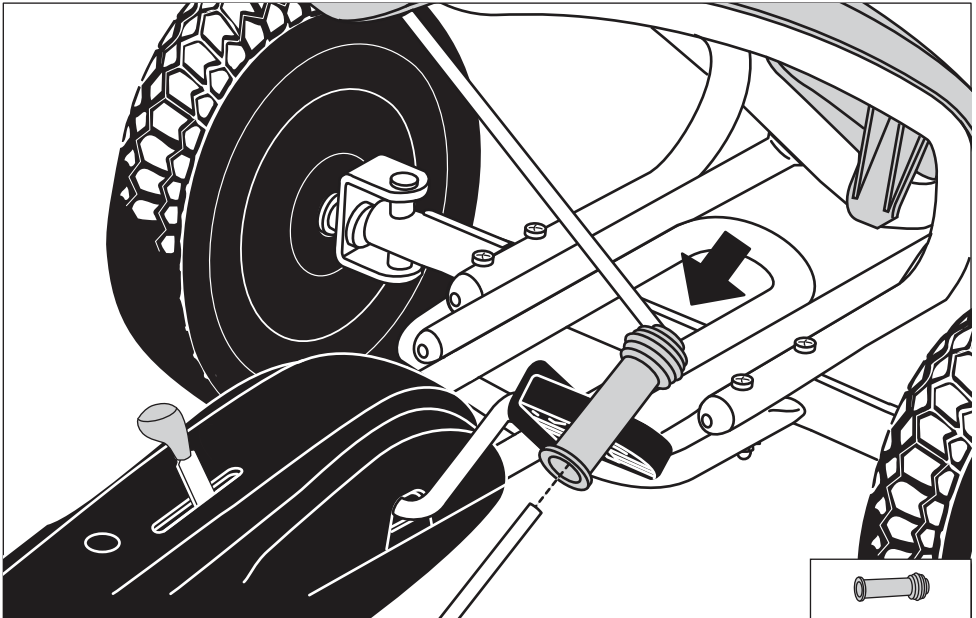
7



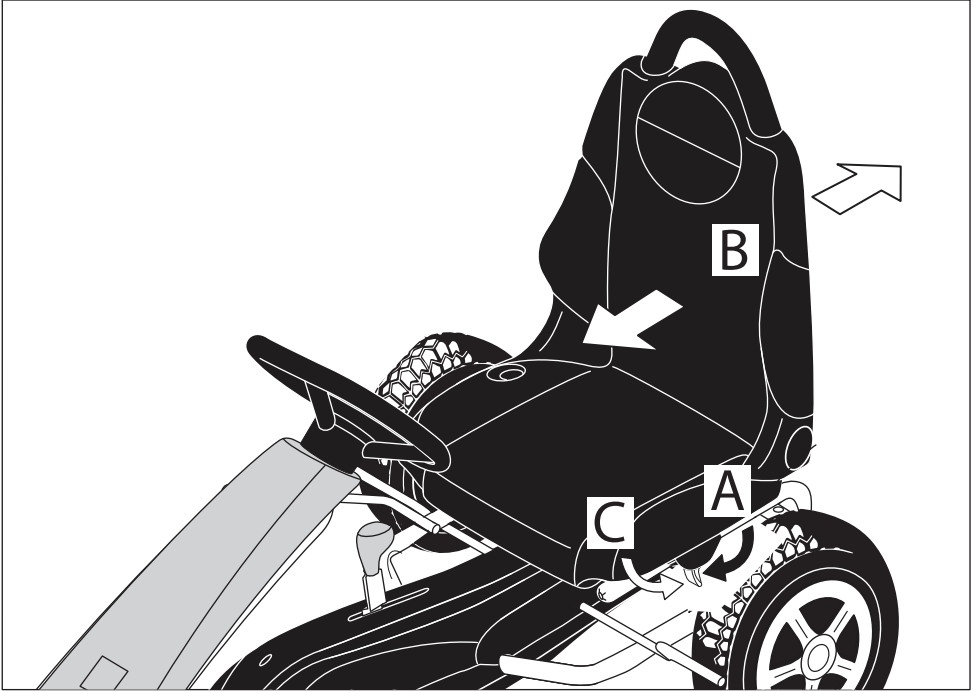
8



9



Seat Adjustment

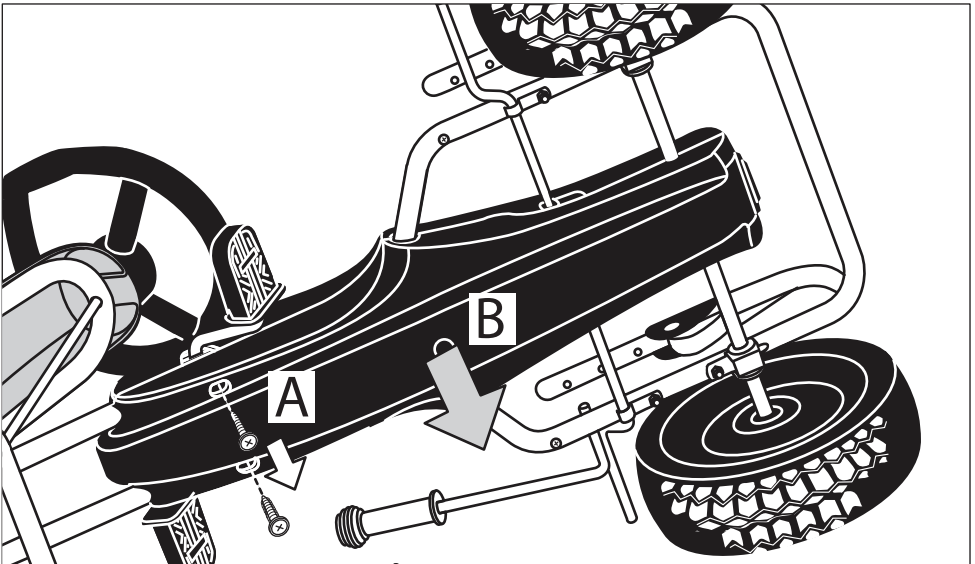
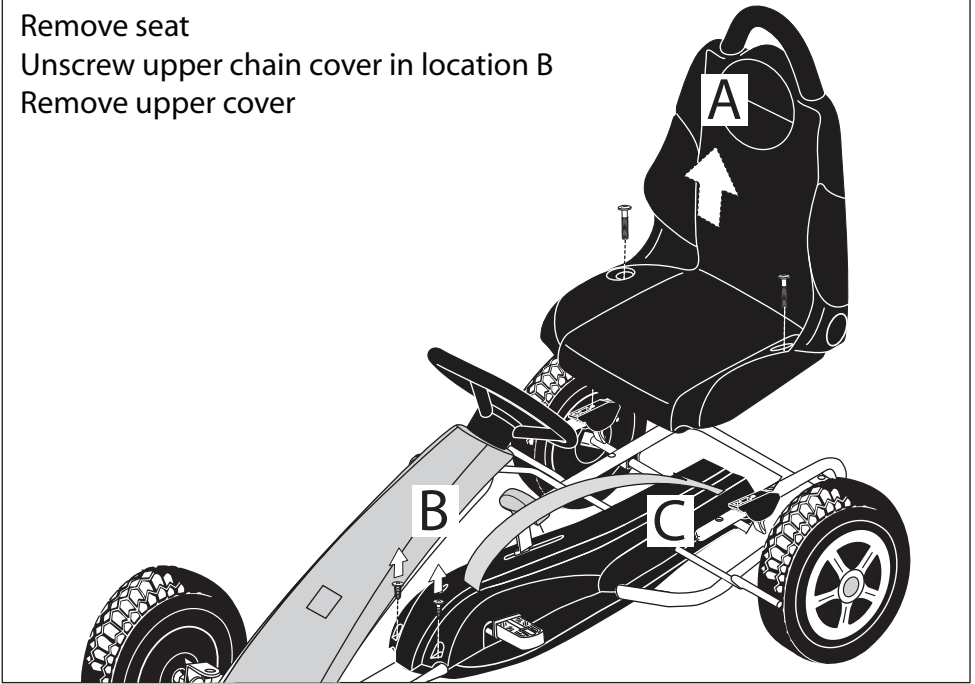


Detaching for Repairs and Chain Tightening

Remove seat

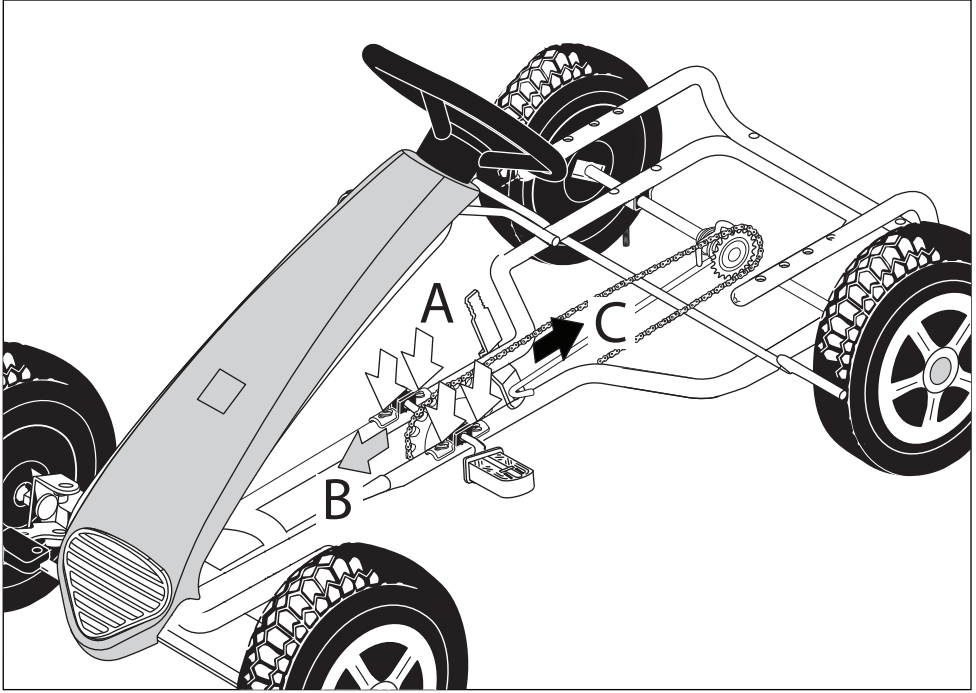
Unscrew upper chain cover in location B

Remove upper cover



Unscrew lower cover in location A and remove

Chain Tightening and Re-Attachment

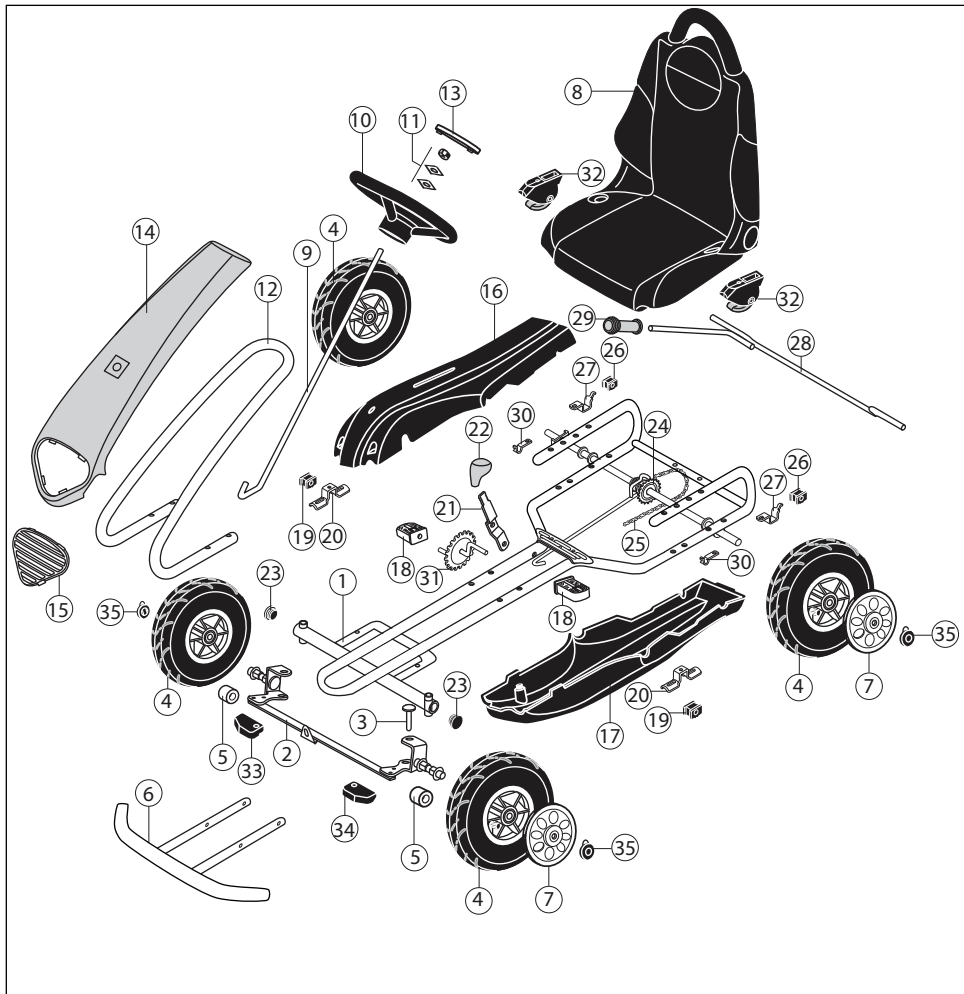


Loosen 4 screws and nuts at location A

Slide pedal sprocket forward (B)
and tighten screws (A) simultaneously to tighten chain

If chain is off, slide pedal sprocket back (C) and place chain on sprockets,
then tighten chain.

Spare parts drawing AERO Pedal Car Model# 9981-700





Spare parts list for AERO Pedal Car Model #9981-700

pos.	description	qty.	part no.
1	main frame	1	9981-700#01
2	tie rod	1	9981-700#02
3	tie rod pin	2	9981-700#03
4	running wheel	4	9981-700#04
5	spacer sleeve	2	9981-700#05
6	front frame	1	9981-700#06
7	wheel screen	4	9981-700#07
8	seat	1	9981-700#08
9	steering wheel rod	1	9981-700#09
10	steering wheel	1	9981-700#10
11	steering wheel bolt set	1	9981-700#11
12	steering column frame	1	9981-700#12
13	steering wheel cap	1	9981-700#13
14	steering column casing	1	9981-700#14
15	grill	1	9981-700#15
16	upper chain guard cover	1	9981-700#16
17	lower chain guard cover	1	9981-700#17
18	pedal	2	9981-700#18
19	crank bearing	2	9981-700#19
20	clamp, pedal crank bearing	2	9981-700#20
21	clutch lever	1	9981-700#21
22	clutch grip	1	9981-700#22
23	plug	2	9981-700#23
24	axle	1	9981-700#24
25	chain	1	9981-700#25
26	axle bearing	2	9981-700#26
27	clamp, axle bearing	2	9981-700#27
28	brake lever	1	9981-700#28
29	brake grip	1	9981-700#29
30	clamp for brake lever	2	9981-700#30
31	pedal crank	1	9981-700#31
32	adjustment mechanism	2	9981-700#32
33	tire rod cover, right	1	9981-700#33
34	tire rod cover, left	1	9981-700#34
35	hubcap quick lock	4	9981-700#35
36	hardware bag	1	9981-700#36